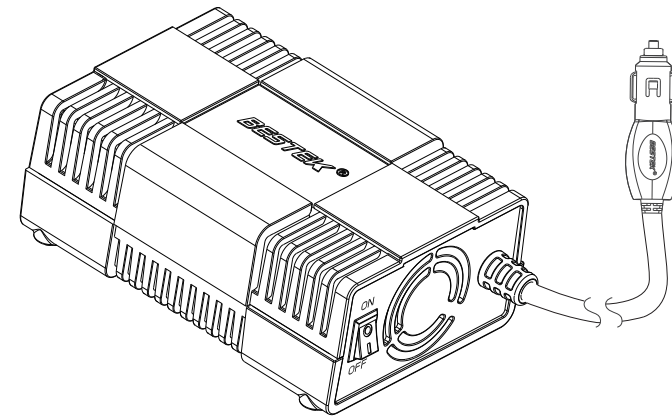


# BESTEK



**MRI3013MU**

V1.1

## BESTEK 300W Power Inverter DC 12V to 230V AC

Thank you for choosing this 300w power inverter from our store. Please read the user manual carefully and use the product correctly based on the user manual so that you can use the product more conveniently and quickly.

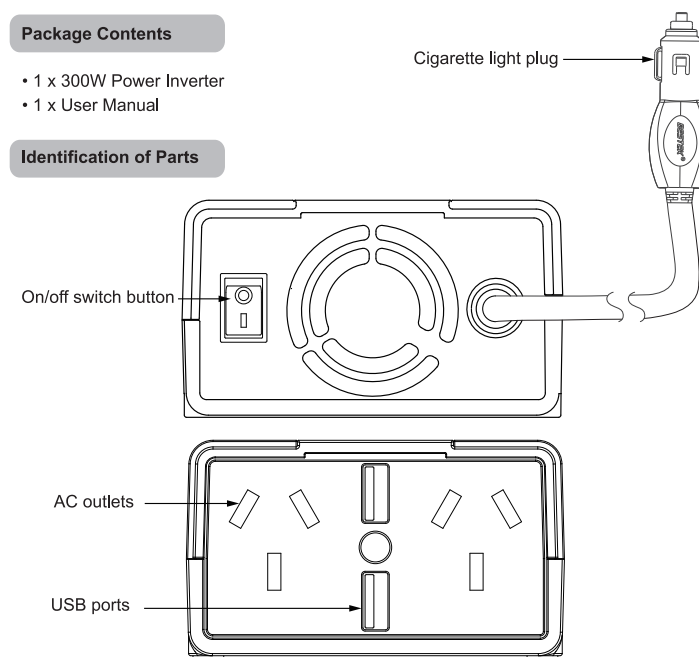
### BESTEK: Enjoy Yourselves Along the Road

Too many devices need to be charged at the same time? Now here is the one that you really need. The BESTEK 300W power inverter adapts DC 12V into AC 230V. One AC outlets with two USB ports provide 3 devices charging together. Slim design, really portable carried within your car. High quality circuit prolongs life span, a perfect choice brings you convenience, enjoyment.

### Package Contents

- 1 x 300W Power Inverter
- 1 x User Manual

### Identification of Parts



### Technical Specification

Dimensions are:	125x 84x 49mm
Weight:	420±15g
Power:	300W Rated, 360W Max
Input Voltage:	12V DC
Output voltage:	220V~240V AC
Dual USB Port Output:	DC 5V, 4.2A rated. Universal recognition ports.
Indicator:	Green-operation, Red-shutdown
Over Output Current Shutdown:	4.8 A

### Feature

- BESTEK® Advantage: Amazon's NO.1 power inverter brand. Provides 300 watts continuous DC to AC power with 1 AC outlets and 2 USB charging ports
- Chargers: 1 AC outlets and 2 USB charging ports, ideal for powering laptop, TV, cell phones, battery chargers, portable DVD players, lights, iPad, iPhone or Android phones and other electronic devices
- Plug and Power Convenience: 24 inch cigarette lighter plug convenient for you to plug directly into cigarette lighter socket
- Ultra compact and lightweight design, makes it ideal for use on the road, at campsites, remote job sites or anywhere that power is needed
- Built-in Protection: low battery alarm, low battery shutdown, overload indicator, short circuit protection. A replaceable fuse further protects the inverter from overload

### Usage Notes

- Please use battery clips when using it on device over 150W
- It need to be turned off to reset, waiting for the red light off, green light indicates normal working condition
- For DC12V and Car ONLY, not applied for DC 24V and airplane use
- The cooling fan remains on continuously. This means you'll only be able to use it in situations where the car is running
- Avoid placing the inverter into direct sunlight or next to heat-sensitive materials to protect inverter from damage
- Get to know its voltage using range, not allowed high power electric devices such as hair dryer, electric heaters, curling iron and etc

### Warranty

Our company provides customers with a warranty of 18 Months from the date of purchase

### Contact Us

For any inquires or comments concerning our products, please send an email to [cs@bestekcorp.com](mailto:cs@bestekcorp.com), and we will respond to you as soon as possible. If there is any quality-related issue with the product you may request a REPLACEMENT OR REFUND by submitting a request at our Amazon store.

MADE IN CHINA