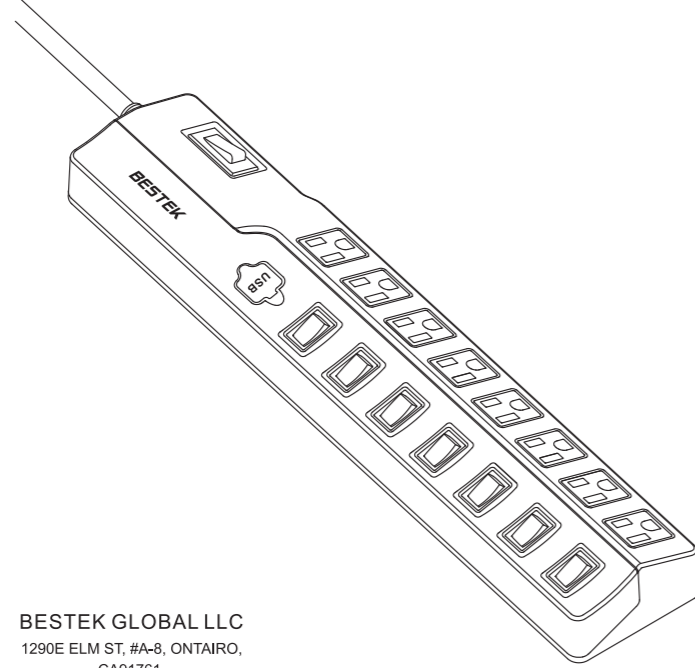


BESTEK

USB Power Strip

Model: MRJ8004

Thank you for choosing this surge protector from our store. The product is smooth in operation, convenient for installation, adjustment and maintenance. Your choice saves your time.



BESTEK GLOBAL LLC
1290E ELM ST, #A-8, ONTAIRO,
CA91761
COMPANY: BESTEK

Introduction

This power strip can convert one standard US outlet into 8 standard US outlets, total power is 1875W. 2 USB charging ports integrated with advanced communication chip can automatically identify the type of devices, and provides them with the fastest and most suitable charging speed. Suitable for all brands of mobile phones and digital electronic products.

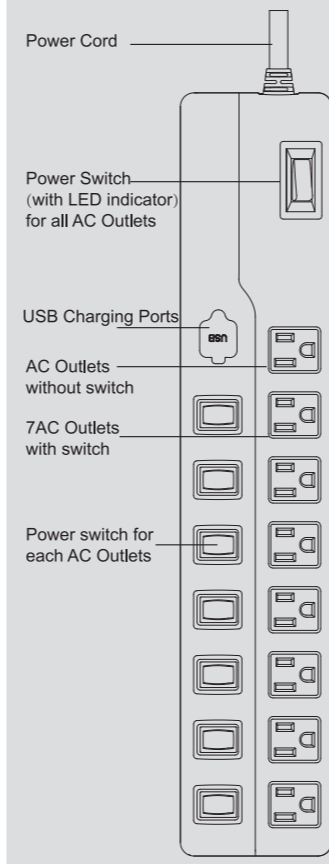
Features

- **8 Outlets & 2 USB:** charging for your mobile device, phones, iPad, and laptops at the same time
 - **Smart IC for USB charging:** Smart IC Port intelligently recognizes your device and boosts its charging speed, up to 2.4A per port.
 - **Unique Design:** The design method of the combination of total switch and single switch for each AC outlets is convenient to control.
 - **Safe and Convenient:** Lighted on/off switch with integrated circuit breaker for overload protection of all outlets. 6-foot heavy-duty power cord allows you to keep the surge protector in an unobtrusive location while making sure it reaches your devices.
- MultiProtect Safety System:** PC alloy ABS, performs good in flame retardant and scratch proof, built-in high quality Phosphor Copper wire, Premium Circuitry with corrosion resistance, over-heated, overload, over-charging protection and short circuits.

Product Instructions

- Connect the cartoon power strip to the electricity, it will extend 1 AC outlet to 8 AC outlets and 2 DC USB ports.
- turn on the power switch
- Connect your electrical appliances to AC or USB ports

Parts Diagram



Specification parameter

AC Input	15A 125V~ 1875W MAX
USB Input	100-250V~ 50Hz/60Hz 0.4A MAX
USB Output	USB 5V \pm 3A (Auto 2.4A Max Per Port)
	15W
Joule Rating	900J
Socket structure	8 US Standard AC Outlets
Built-in Protection	DC output over-current protection · output overload protection · DC output over voltage protection · output short circuit protection
Environmental temperature	Working Temperature: -5~40°C Storage Temperature: -20~80°C
Environmental Humidity	Working Humidity: 10~90%RH Storage Humidity: 5~95%RH
Cover's materials	ABS+PC UL94 V-0
Cord Length	1.8m
Size	387.8mm×76.8mm×40.8mm
Weight	857g±10g

Safety Precautions

- Please use according to acceptable range voltage and amps in case of damaging device.
- It's normal for the surge protector to be a little warm when you use it to charge multiple devices.
- When your device ran out of the battery and power off, some devices may be charged a little slower at the beginning because of the battery protection from your device.
- Please avoid beating or crashing the surge protector.
- Always away from heat and water in case of short circuit. Please keep the power strip away from children, fire, heat, water.

Warranty

18-month warranty available.

Contact Us

If you have any problem in using this power strip, please feel free to connect with us. We will certainly give you a respond and help you to solve your problem.

MADE IN CHINA